

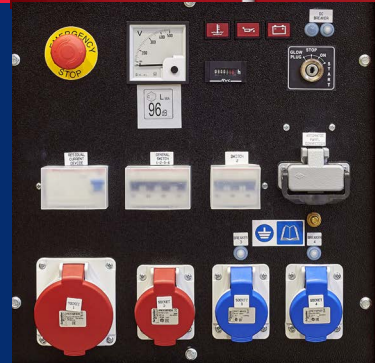
# MPF 16 BA



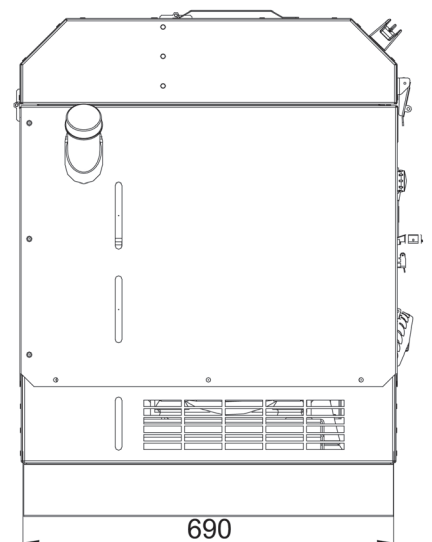
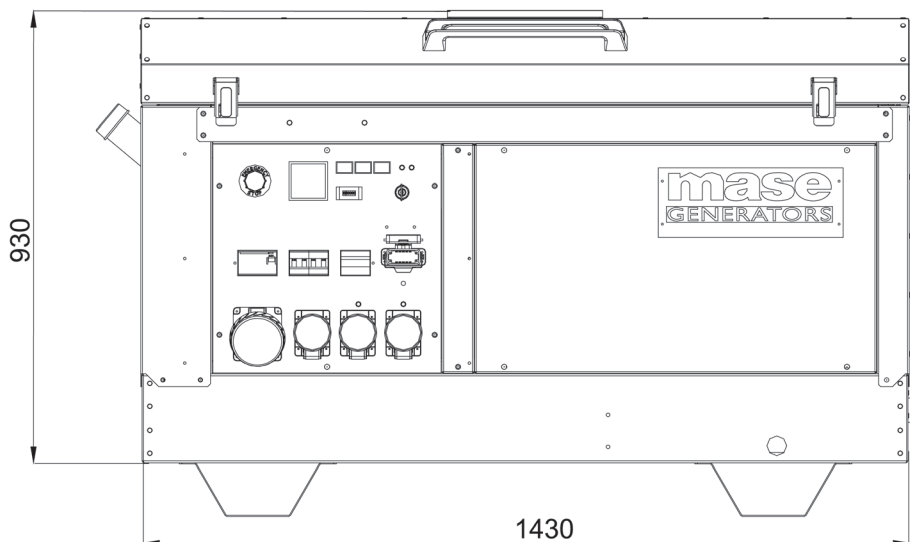
40 Lt Fuel Tank

Control panel

Central lifting eye



Unit of measure: mm



We reserve the right to change data, images and drawings without notice.  
For more information, you may contact your local dealer or Mase Generators S.p.A.

Mase Generators spa  
Via Tortona, 345 - 47522 - Cesena (FC) - Tel. +39 0547 354311  
[www.masegenerators.com](http://www.masegenerators.com) - [commercial@masegenerators.com](mailto:commercial@masegenerators.com)

**mase**  
**GENERATORS**  
Believing in change.



Output power 16 kVA three-phase  
Output power 5,3 kVA single-phase

## Description

- Silenced power generator
- Diesel engine 1500 rpm
- 40 lt fuel tank

## Standard Features

- Auto engine protection shutdown system with warning lights in case of low oil pressure and high cooling water temperature
- Voltmeter
- Hourmeter
- Earth leakage circuit breaker
- Emergency stop button
- Starter battery
- 1 x 32 A, 400 V - 50 Hz EEC three-phase socket
- 1 x 16 A, 400 V - 50 Hz EEC three-phase socket
- 2 x 16A, 230V - 50 Hz EEC single-phase sockets
- Power output protection
- Foreseen for AMF/ATS or Remote control operation
- Fork lift pockets
- Central lifting eye

## Options

- Versions with different voltages
- 60Hz version
- Engine heater
- Automatic voltage regulator (AVR)

## Accessories on request

- AMF/ATS panel for auto start operation
- GRT2W: two-wheels site tow undercarriage
- Remote Start/Stop kit by cable (20 mt)

## Noise level

- Lwa 96 (71 dB a 7 mt)

## AC generator - 50Hz

- Type: synchronous
- Three-phase power (max.): 16 kVA - 400 V
- Single-phase power (max.): 5,3 kVA - 230 V
- Power Factor:  $\cos \phi$  0,8

## Diesel Engine 1500 rpm

- Type: Yanmar 3TNV88 - 3 cyl. - 18,1 hp (13,5 kWm) - 1642 cm<sup>3</sup>
- Cooling system: water
- Starting system: electric
- Fuel tank capacity: 40 lt
- Fuel consumption @ 75%: 2,7 lt/h

## Other features

- Insulation Class: H
- Ambient temperature: 40 °C (\*)
- Altitude: 1000 mt (\*)
- Mechanical Protection: IP 23
- Dimensions (L x W x H): 1430 x 690 x 930 mm
- Dry weight: 470 kg

(\*) - For altitude and temperature values other than those listed above, please consult the manufacturer to verify the available power.